

Pitch

0.40mm

Length

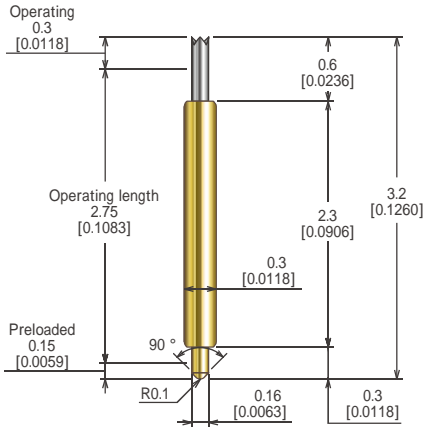
3.2mm

BGA **LGA** **SOP**
QFP **QFN** etc.

Standard Pitch

Pin Outline

Unit: mm [inch]



Specifications

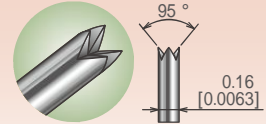
(Approximate Average Values)

Mechanical Specifications	
Spring Force at Operating Travel	22gf (0.78oz.)
Operating Travel	0.45mm (0.0177inch)
Operating Temperature	45 to 125
Life Span at Operating Travel	1000K Cycles
Electrical Specifications	
Current Rating (Continuous)	1.4A
Self Inductance	0.87nH
Bandwidth @ 1dB	20.2GHz
DC Resistance	0.1ohm
Material and Finishes	
Bottom Plunger	BeCu / Au Plated
Barrel	Alloy / Au Plated
Spring	Music Wire / Au Plated

*Top Plunger : Please refer to the table on the right.

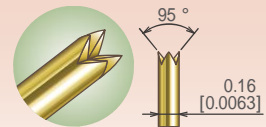
Top Plunger & Item Number

KGW040 001CP



Material : Pd Alloy
Plating :

KMW040 004C2 **NEW**

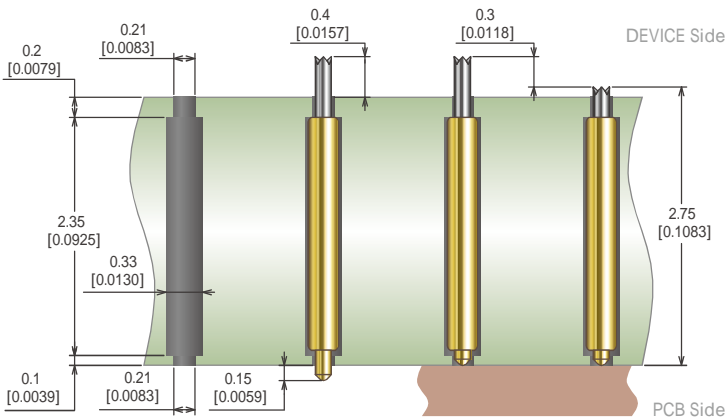


Material : BeCu
Plating : Au Alloy

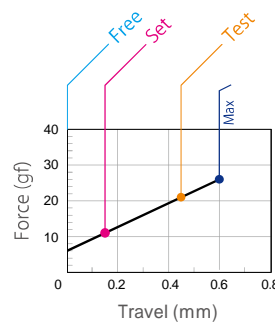
Socket Outline

Unit: mm [inch]

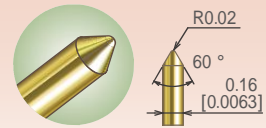
Force Chart



Free Set Test

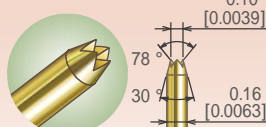


KHW040 001R2



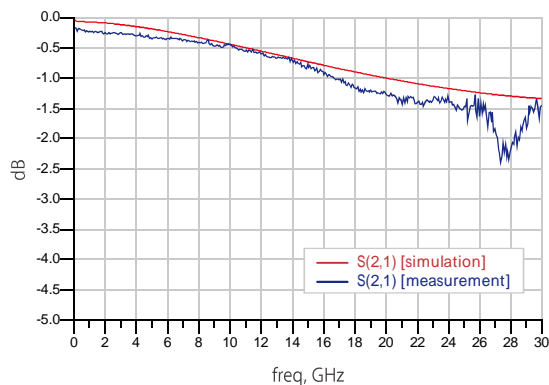
Material : BeCu
Plating : Au Alloy

KHW040 002C2

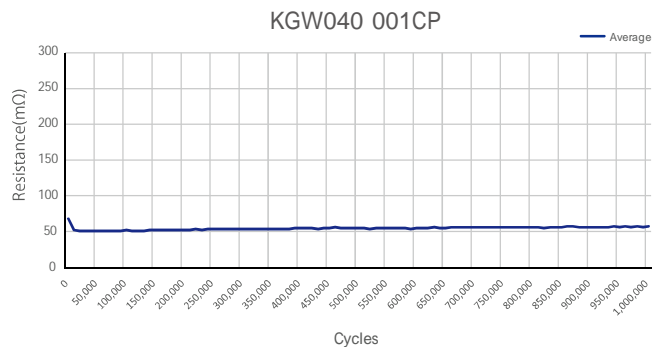


Material : BeCu
Plating : Au Alloy

Insertion Loss Data



Life Test Data



*All specifications are subject to change without notice.