

Pitch

0.40mm

Length

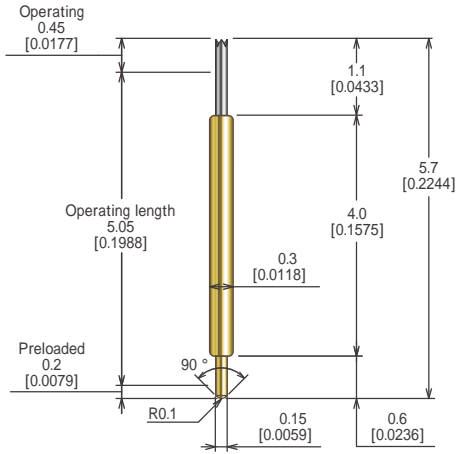
5.7mm

BGA LGA SOP
QFP QFN etc.

Standard Pitch

Pin Outline

Unit: mm [inch]



Specifications

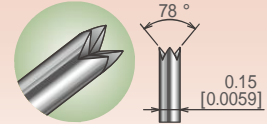
(Approximate Average Values)

Mechanical Specifications	
Spring Force at Operating Travel	30gf (1.06oz.)
Operating Travel	0.65mm (0.0256inch)
Operating Temperature	45 to 125
Life Span at Operating Travel	1000K Cycles
Electrical Specifications	
Current Rating (Continuous)	1.4A
Self Inductance	1.61nH
Bandwidth @ 1dB	13.6GHz
DC Resistance	0.1ohm
Material and Finishes	
Bottom Plunger	BeCu / Au Plated
Barrel	Alloy / Au Plated
Spring	Music Wire / Au Plated

*Top Plunger : Please refer to the table on the right.

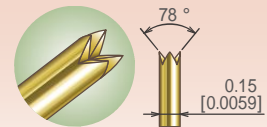
Top Plunger & Item Number

KHW040 006CP



Material : Pd Alloy
Plating :

KHW040 006CA

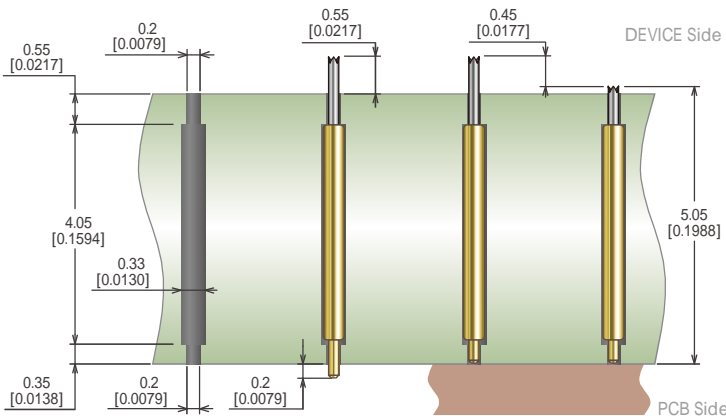


Material : BeCu
Plating : Au Alloy

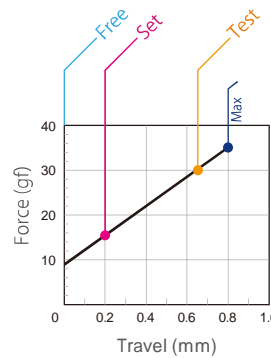
Socket Outline

Unit: mm [inch]

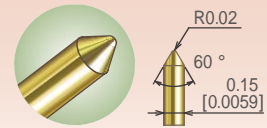
Force Chart



Free Set Test

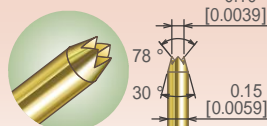


KHW040 007R2



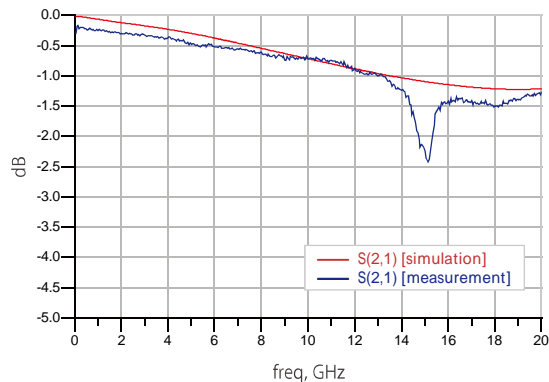
Material : BeCu
Plating : Au Alloy

KHW040 008C2

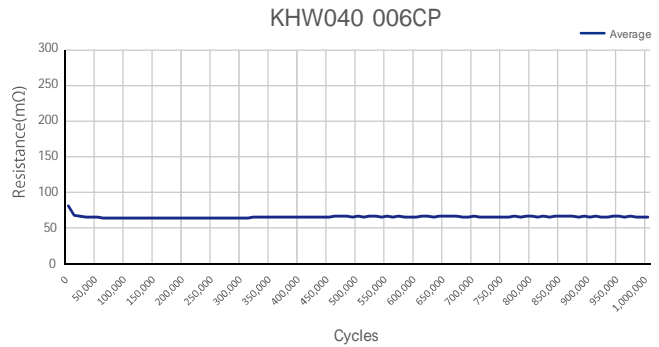


Material : BeCu
Plating : Au Alloy

Insertion Loss Data



Life Test Data



KITA

*All specifications are subject to change without notice.