

Pitch

0.50mm

Length

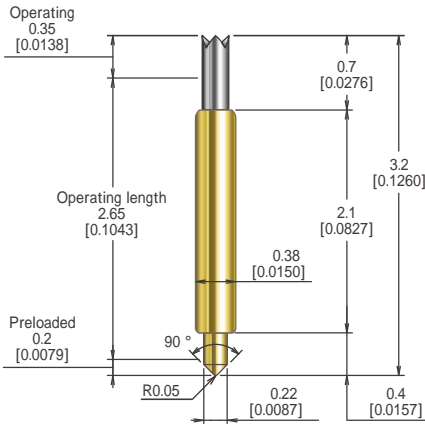
3.2mm

BGA **LGA** **SOP**
QFP **QFN** etc.

Standard Pitch

Pin Outline

Unit: mm [inch]



Specifications

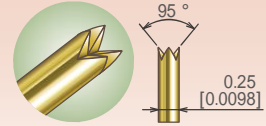
(Approximate Average Values)

Mechanical Specifications	
Spring Force at Operating Travel	26gf (0.92oz.)
Operating Travel	0.55mm (0.0217inch)
Operating Temperature	45 to 125
Life Span at Operating Travel	300K Cycles
Electrical Specifications	
Current Rating (Continuous)	1.4A
Self Inductance	0.82nH
Bandwidth @ 1dB	20.0GHz
DC Resistance	0.05ohm
Material and Finishes	
Bottom Plunger	BeCu / Au Plated
Barrel	Alloy / Au Plated
Spring	Music Wire / Au Plated

*Top Plunger : Please refer to the table on the right.

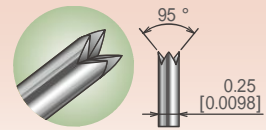
Top Plunger & Item Number

KMW050 001C2 **NEW**



Material : BeCu
Plating : Au Alloy

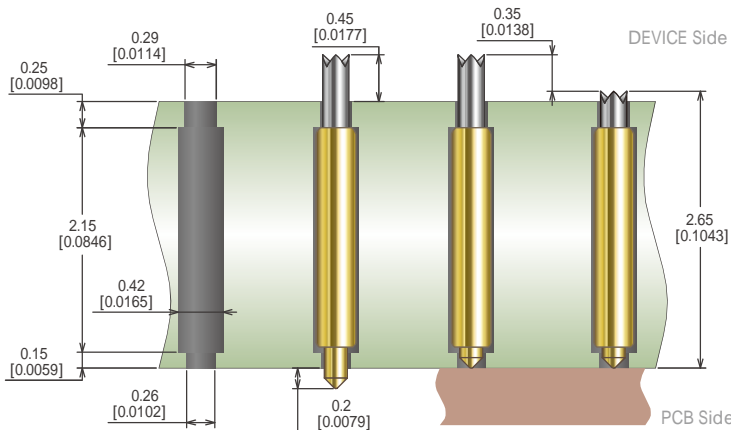
KGW050 002CP



Material : Pd Alloy
Plating :

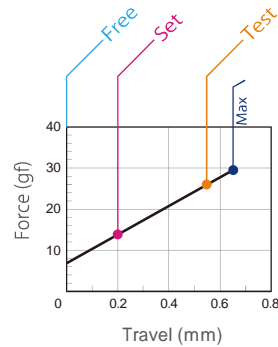
Socket Outline

Unit: mm [inch]

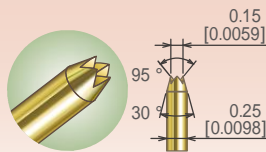


Free Set Test

Force Chart

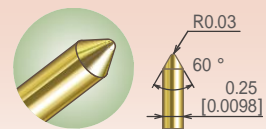


KHW050 104C2



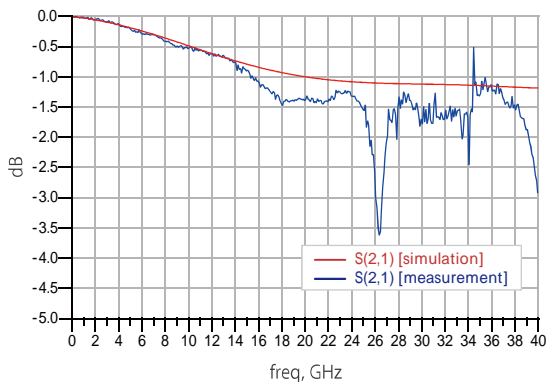
Material : BeCu
Plating : Au Alloy

KHW050 105R2

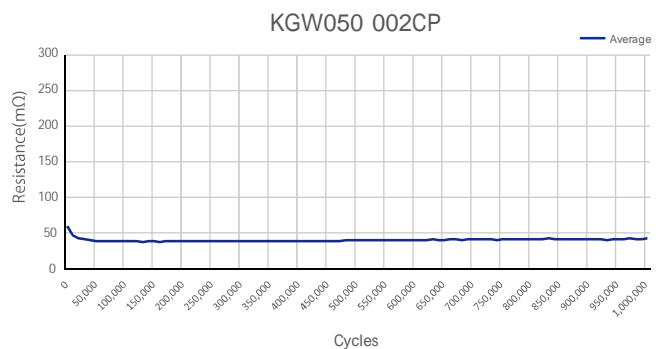


Material : BeCu
Plating : Au Alloy

Insertion Loss Data



Life Test Data



KITA