

Pitch

1.0 mm

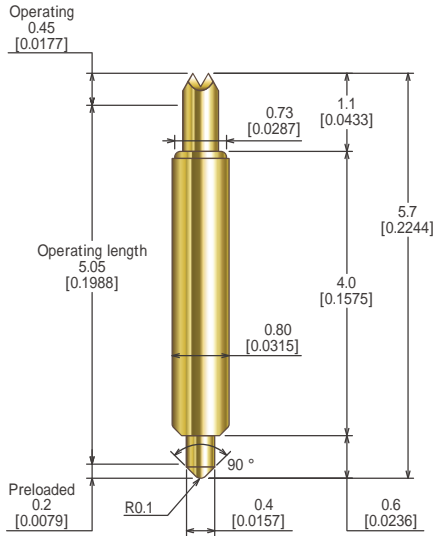
Length

5.7 mm

BGA LGA SOP
QFP QFN etc.

Pin Outline

Unit: mm [inch]



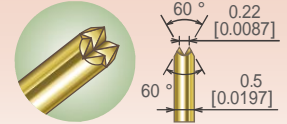
Specifications

(Approximate Average Values)

Mechanical Specifications	
Spring Force at Operating Travel	25gf (0.88oz.)
Operating Travel	0.65mm (0.0256inch)
Operating Temperature	45 to 140
Life Span at Operating Travel	1000K Cycles
Electrical Specifications	
Current Rating (Continuous)	3.5A
Self Inductance	1.40nH
Bandwidth @ 1dB	7.7GHz
DC Resistance	0.05ohm
Material and Finishes	
Bottom Plunger	BeCu / Au Plated
Barrel	Brass / Au Plated
Spring	Stainless Steel / Au Plated

Top Plunger & Item Number

KMW100 001C2 **NEW**



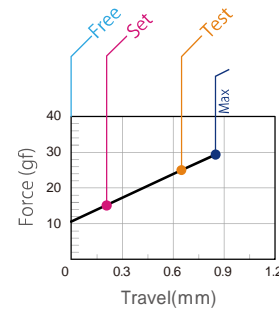
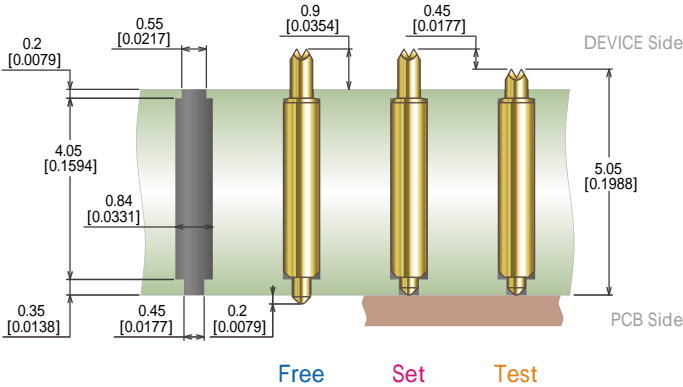
Material : BeCu
Plating : Au Alloy

*Top Plunger : Please refer to the table on the right.

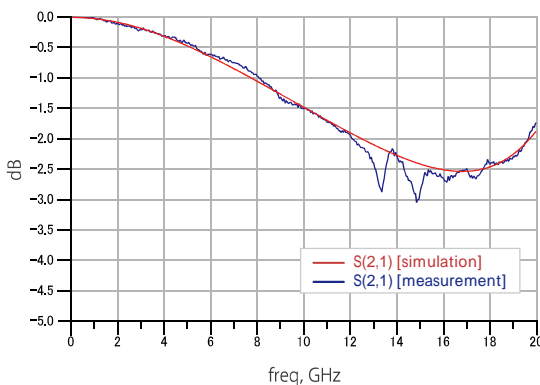
Socket Outline

Unit: mm [inch]

Force Chart



Insertion Loss Data



Life Test Data

