

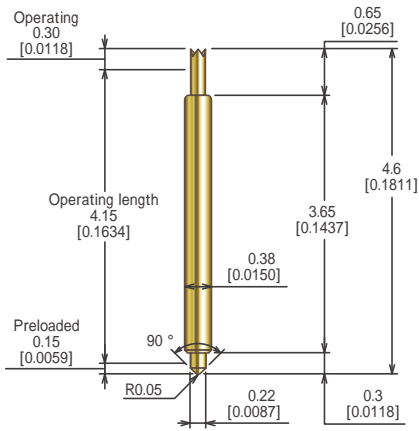
Non Magnetic

非磁性

Pitch
0.50mm

Pin Outline

Unit: mm [inch]



Specifications

(Approximate Average Values)

Mechanical Specifications

| | |
|----------------------------------|---------------------|
| Spring Force at Operating Travel | 17gf (0.60oz.) |
| Operating Travel | 0.45mm (0.0177inch) |
| Operating Temperature | 45 to 80 |
| Life Span at Operating Travel | 150K Cycles |
| Electrical Specifications | |
| Current Rating (Continuous) | 1.9A |
| Self Inductance | 1.29nH |
| Bandwidth @ 1dB | 29.6GHz |
| DC Resistance | 0.05ohm |

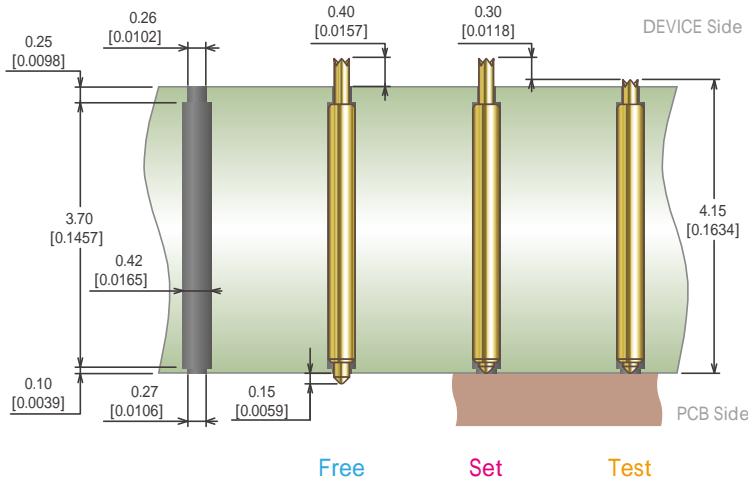
Top Plunger & Item Number

KJW050 003CG

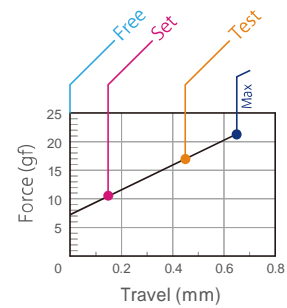


Socket Outline

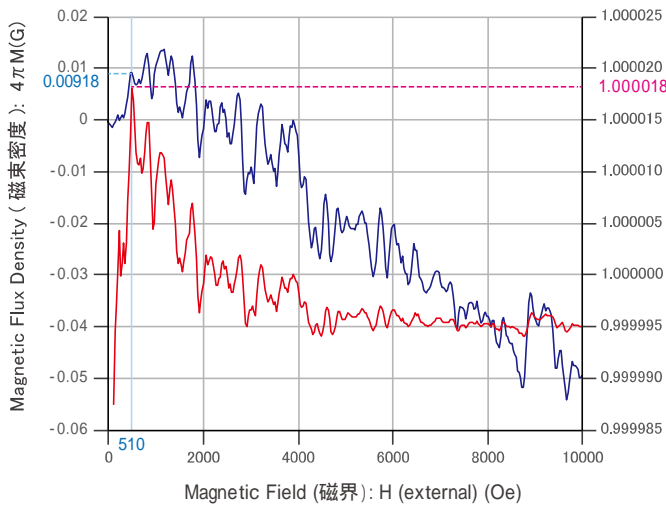
Unit: mm [inch]



Force Chart



Magnetic Characteristic



Test Temperature 測定温度 : 25 (298K)

— $4\pi M$
— μ

When H is 5100e (H の値が 5100e のとき)
 $4 M=0.00918G$

$B=H+4 M$
 $B=\mu H$

Relative Permeability 比透磁率

$\mu_{max}=1.000018$

For reference 参考

Aluminum アルミニウム $\mu=1.000022$

Air 空気 $\mu=1.0006$

Customizing Non Magnetic spring pins

マラソンピンに限らず、様々なスプリングピンを非磁性仕様にカスタムすることが可能です。
Most Kita Spring pins can be modified to be Non Magnetic.